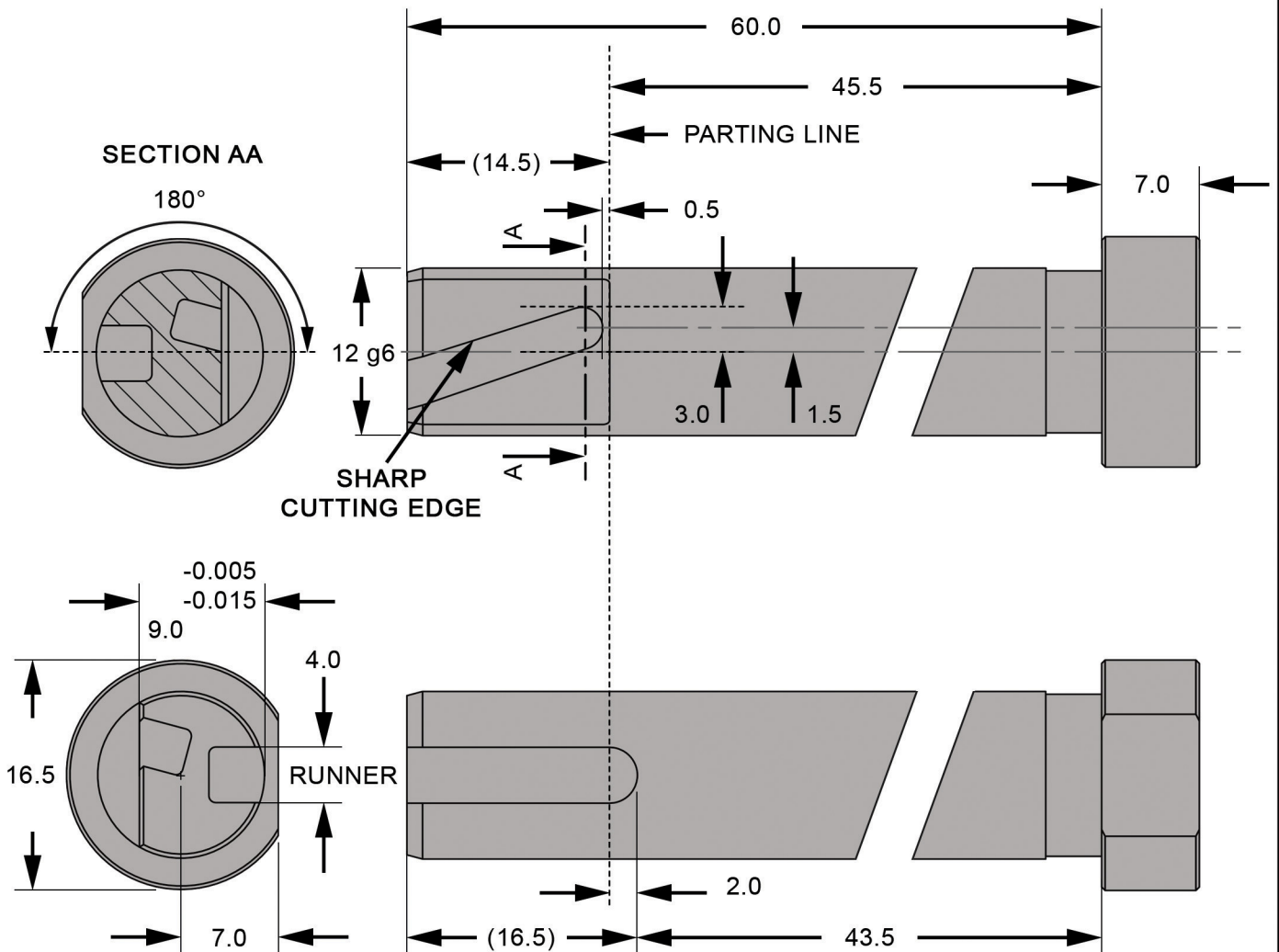
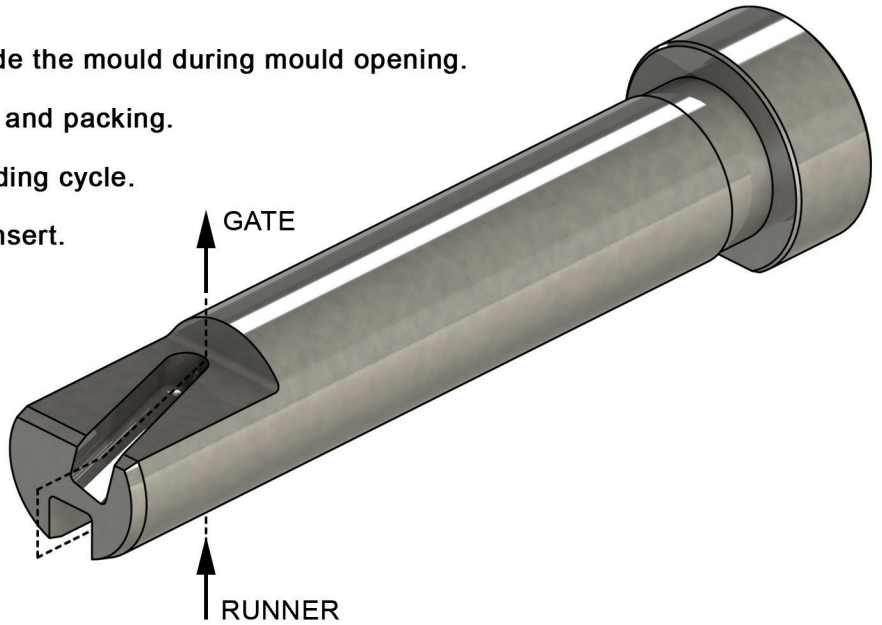


CATALOGUE NUMBER: SE-P12.60.1

- Trouble free cutting of edge gate inside the mould during mould opening.
- Large edge gate to improve mould fill and packing.
- Reduces injection pressure and moulding cycle.
- Economical interchangeable cutting insert.
- Manufactured from M2 64 HRC.



PATENTED PRODUCT