

CATALOGUE NUMBERS: SB12.56.2 & SB12.76.2

Trouble free cutting of edge gate inside the mould during mould opening.

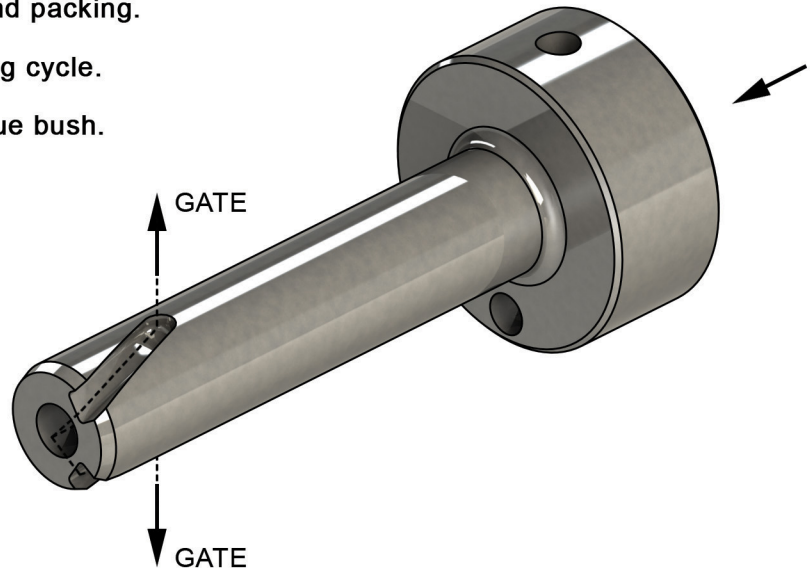
Large edge gate to improve mould fill and packing.

Reduces injection pressure and moulding cycle.

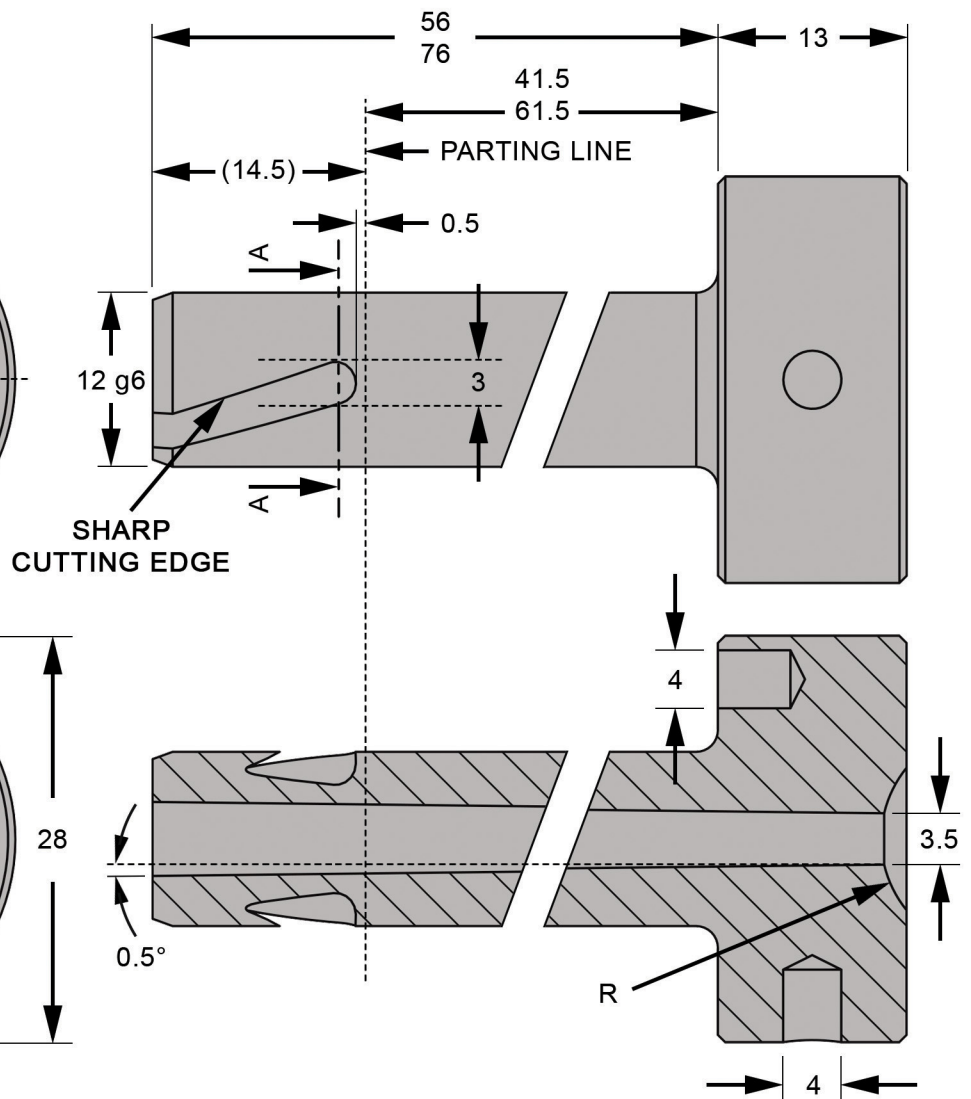
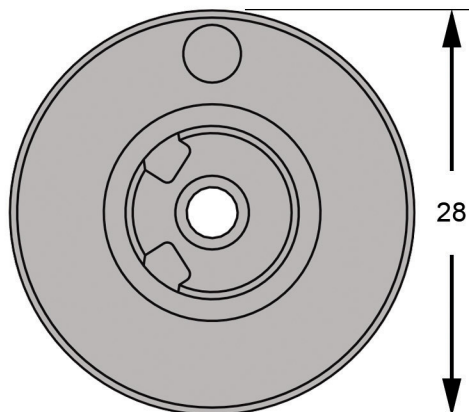
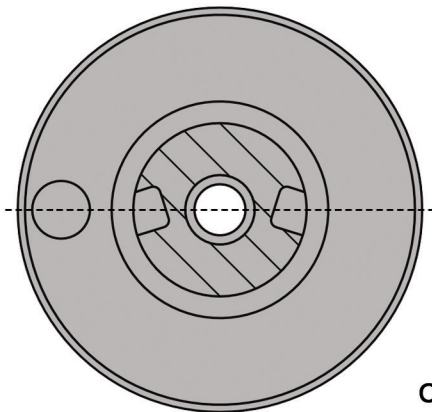
Economical interchangeable cutting sprue bush.

Manufactured from M2 steel 64 HRC.

Easy to install.



SECTION AA



*Ejector plate must be held back during mould opening time.

PATENTED PRODUCT