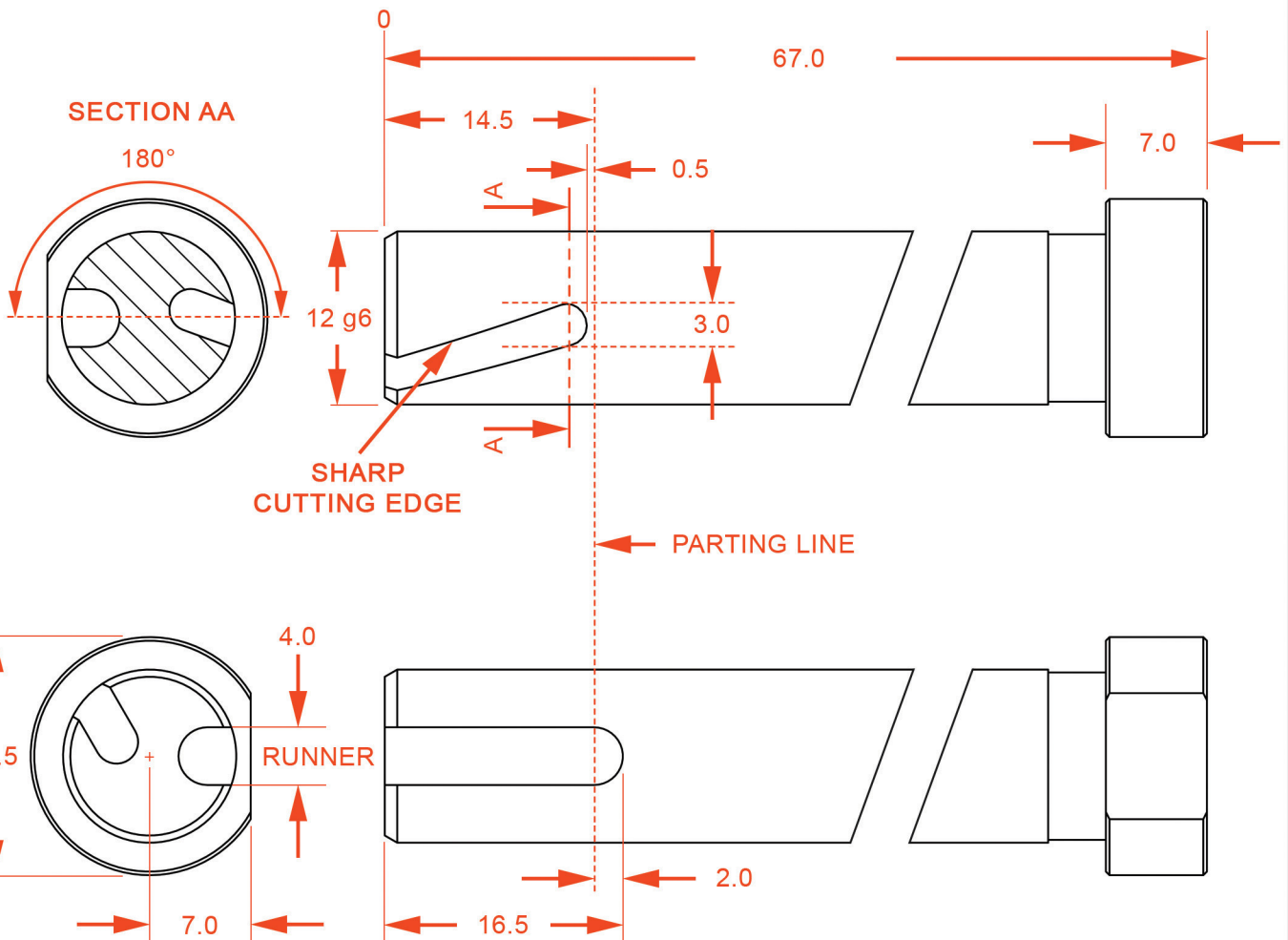
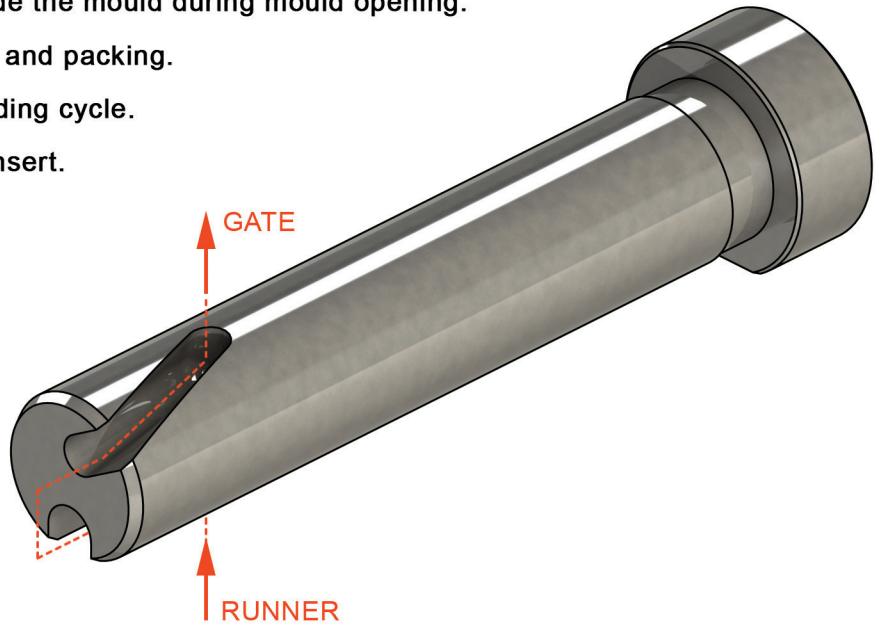


CATALOGUE NUMBER: P12.60.1

- Trouble free cutting of edge gate inside the mould during mould opening.
- Large edge gate to improve mould fill and packing.
- Reduces injection pressure and moulding cycle.
- Economical interchangeable cutting insert.
- Manufactured from M2 64 HRC.
- Metric and inch sizes.
- Easy to install.



\*Ejector plate must be held back during mould opening time.

PATENTED PRODUCT